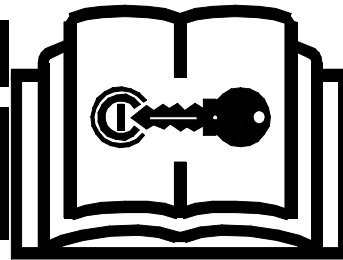


HAMMERHEADTM

Air Powered ImpactorTM Device

Parts Manual



**Air Powered Impactor Device_O1.01
SERIAL NO. 101-101500
ORDER NO. PM1501**

INTRODUCTION

HOW TO USE THE MANUAL

This manual contains illustrations and parts list of components and assemblies which make up the machine. Each page consists of the name of the assembly or component, a figure number, reference numbers, part numbers, part names, and the quantities of the parts used.

Assembly or component name helps identify the illustration and parts list for each figure. This name also helps locate the general area of the machine where the assembly or component can be located.

Figure numbers are used to identify each assembly or component and to group these assemblies or components into major categories.

Reference numbers shown in the column refers to the numbered parts in the illustration. This ties the part in the illustration to the part number and description in the parts list.

Part numbers are used to identify individual parts or part assemblies.

Part descriptions provide the name of the part, plus additional information such as dimensional specifications and what parts are grouped together to form part assemblies, which helps you identify the part(s).

Quantities listed for each figure are only for that assembly or component and not the total used per machine.

Parts are listed by part number in numerical order in the back portion of the manual. After each part number is a list of references where the part is located in the manual.

This parts manual is not intended to be a complete guide for machine service or repairs. Contact your HammerHead dealer for any of your service or technical requirements.

Ordering Parts

Parts for repair or replacement are available through the network of HammerHead dealers located throughout the world.

Use only authorized HammerHead parts for repair or replacement. Always give the serial number and

model number of the machine for which parts are being ordered. When ordering parts for components, which are not manufactured by Earth Tool Company LLC, also give the serial number of that component. Order all parts by part number, part name, and quantity needed.

UPDATING AND REORDERING MANUALS

The parts lists, illustrations, and specifications in this manual are based on the latest information available at the time of publication. Your machine may have product improvements and options not yet contained in this manual.

Earth Tool Company LLC reserves the right to make changes at any time without notice or obligation to you.

Your dealer will receive notice of these changes and can assist you with accurate parts identification when ordering.

A copy of this manual is supplied with each machine. Additional copies are available through your dealer. When ordering additional manual, use the reorder number listed on the front cover and the quantity needed.

Copyright © 2003
Earth Tool Company LLC
1300 Capitol Drive
Oconomowoc, Wisconsin 53066, USA

PARTS LIST TABLE OF CONTENTS

Decal Assembly Fig 1-1.....Page 1-1

Tool Assembly (Fig 1-3)..... Page 1-3

Tool Assembly Parts List.....Page 1-4

Accessories (Fig 1-5)..... Page 1-5

Oiler Assembly (fig 1-7)..... Page 1-7

Oiler Assembly Parts List..... Page 1-8

Decal Assembly

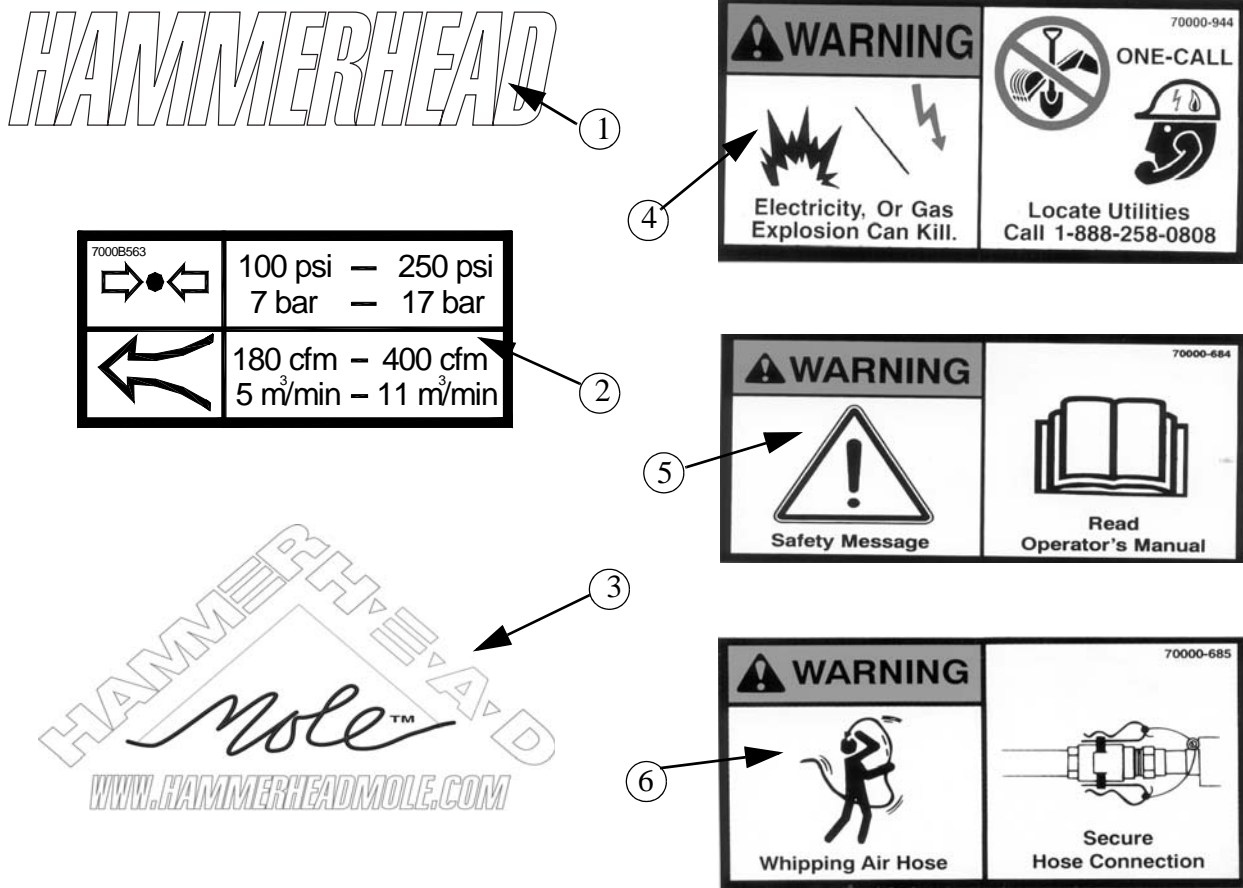


Figure 1-1

		PART NO.	DESCRIPTION	QTY	REMARKS
Item Number	1		HammerHead Logo	1	
	2	907-0064	Decal, Pressure	1	
	3		Mountain Logo w/web	1	
	4	70000944	Decal, One call	1	
	5	296260768	Decal, Read Op Manual	1	
	6	7000A082	Decal, Whipping Air Hose	1	

This page intentionally left blank

TOOL ASSEMBLY

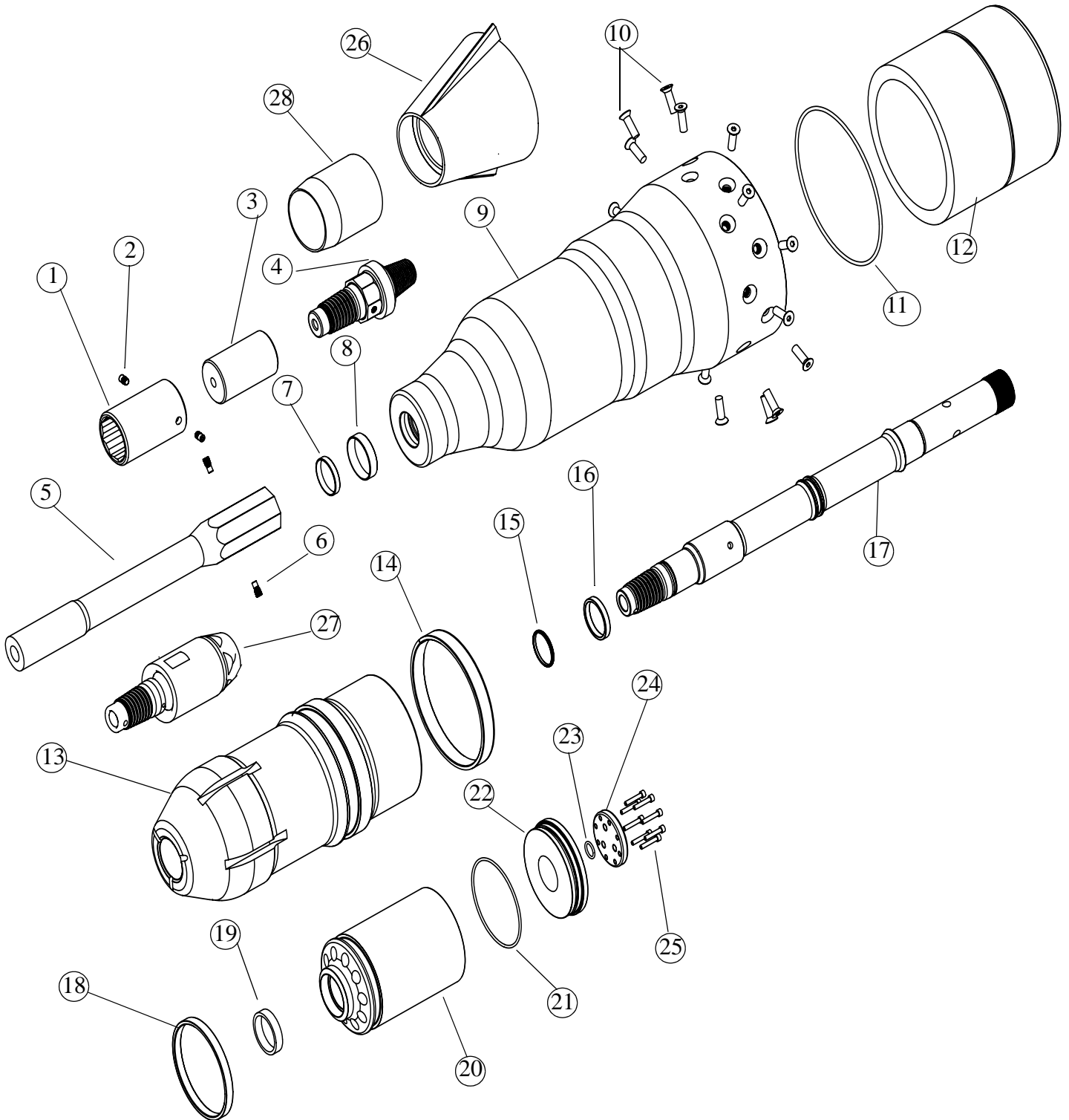


Figure 1-3

TOOL ASSEMBLY

	Description	12" Part No.	Qty	8" Part No.	Qty	Remarks	
Item Number	1	Sleeve, Torque	296266122	1	296266122	1	
	2	Lock Pin, Sleeve	296266123	2	296266123	2	
	3	Thread Protector	296266142	1	296266142	1	
	4	Adapter	296266121	1	296266121	1	
	5	Starter Rod					
		275 Al x 2.06 Firestick 2(B)	296266107	1	296266107	1	Option
		275 Al x 2.38 Firestick 1(B)	296266108	1	296266108	1	Option
		275 Al x 2.38 Firestick 2(B)	296266109	1	296266109	1	Option
		275 Al x 2.62 Firestick 2(B)	296266110	1	296266110	1	Option
		275 Al x 2.88 Firestick 1(B)	296266111	1	296266111	1	Option
		275 Al x 2.88 Firestick 2 (B)	296266170	1	296266170	1	Option
		275 Al x 3.50 Firestick 1(B)	296266112	1	296266112	1	Option
		275 Al x 3.50 Firestick 2(B)	296266171	1	296266171	1	Option
	6	Pin, Pullback	296266124	4	296266124	4	
	7	Ring, Body - Front	296266139	1	296266139	1	
	8	Ring, Body - Rear	296266129	1	296266103	1	
	9	Body	296266127	1	296266101	1	
	10	Bolt, Retaining	296266135	16	293780001	18	
	11	O-Ring, Adapter	296266155	1	296266154	1	
	12	Adapter, PE					
		Adapter, 12"- IPS, DIPS, 315mm	296266137	1			Option -Incl: 11
		Adapter, 8" Al - 8" IPS			296266114	1	Option -Incl: 11
		Adapter, 8" Al - 8" DIPS			296266115	1	Option -Incl: 11
		Adapter, 200/225mm Pipe			296266116	1	Option -Incl: 11
	13	Striker	296266128	1	296266102	1	
	14	Ring, Striker	296266134	1	296266106	1	
	15	Ring, Snap - Distributor Shaft	296266120	1	296266120	1	
	16	Ring, Distributor Shaft	296266131	1	296266131	1	
17	Shaft, Distributor	296266126	1	296266100	1		
18	Ring, Distributor	296266140	1	296266117	1		
19	Isolator	296266118	1	296266118	1		
20	Distributor Shell	296266132	1	296266105	1		
21	O-ring, Distributor	296266141	1	296266119	1		
22	Distributor End	296266130	1	296266104	1		
23	O-Ring, Distributor Flange	248943001	1	248943001	1		
24	Distributor Flange	296266133	1	296266133	1		
	Rear Feed Whip Hose Assy	296267653	1	296267653	1	Option	
25	Tailbolts	296263939	8	296263939	8		
26	Blade Assembly	296266163	1	296266159	1	Option	
27	Ball Assembly, 3 Piece	296266214	1	296266214	1		
28	Sleeve, Contamination	296263949	1	296263937	1		

8" Air Impactor Assy		296266113	Incl: 3,7-10,13-25,27,28
12" Air Impactor Assy	296266136		Incl: 3,7-10,13-25,27,28
Pilot, 6" Host Pipe, 8" Al		296266157	
Pilot, 8" Host Pipe, 12" Al	296266160		
Pilot, 10" Host Pipe, 12" Al	296266161		
Push Point	296263940	296263940	Optional

ACCESSORIES

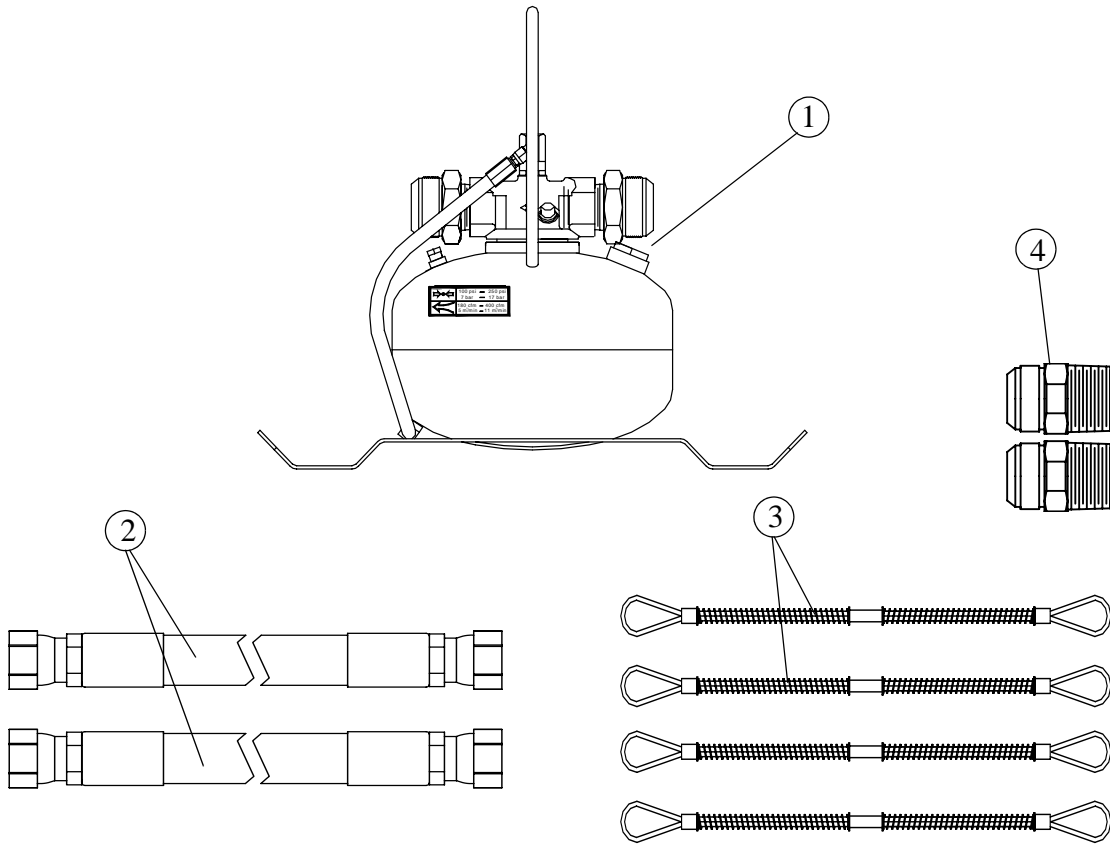


Figure 1-5

	Description	Part No.	Qty	Remarks
Item Number	1 Oiler, Air Impactor	296263834	1	
	2 Hose, Supply 2.0" x 50'	296266213	2	
	3 Whip Check	296259224	4	
	4 Adapter, 32MJ - 32MP	231929001	2	
	Kit, Air Impactor Oiler	296263837	1	RTM-083

This page intentionally left blank

OILER ASSEMBLY

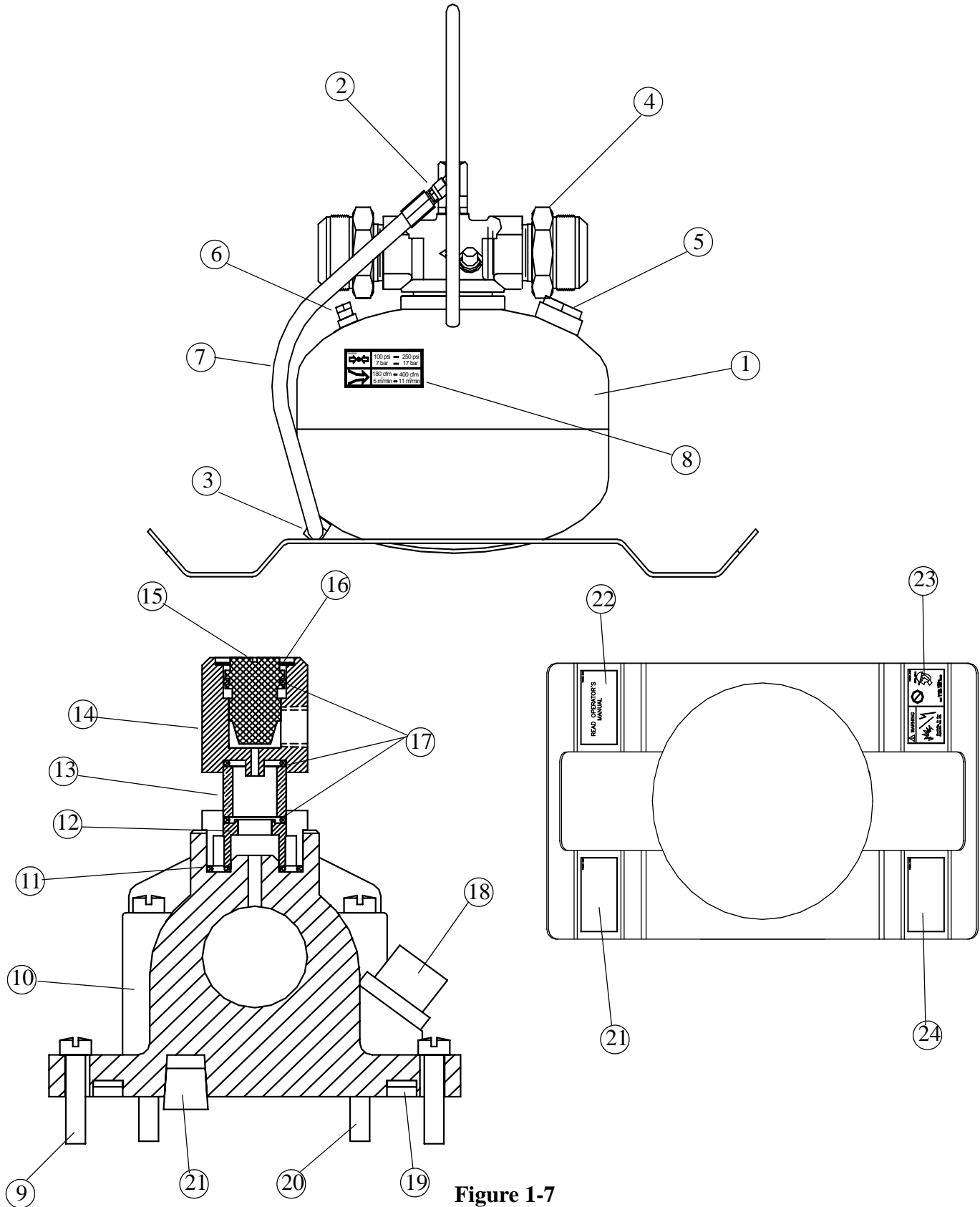


Figure 1-7

OILER ASSEMBLY

	Description	Part No.	Qty	Remarks
Item Number	1 Tank, 2.8 Gal	248933001	1	
	2 Adapter, Elbow 04MJ-02MP 90	296263836	1	
	3 Elbow, 1/4 Street	286502001	1	
	4 Adapter, 32MJ - 24MP	296263835	2	
	5 Cap, Fill	208599001	1	
	6 Plug, 1/4 NPT Brass	732003	1	
	7 Hose Assembly, 1/4 x 16.75	907-0057	1	
	8 Decal, Pressure	907-0064	1	
	9 Screw, 12 -24 x 7/8	280747001	2	
	10 Lubricator Head	280727001	1	
	11 Seal, Dome	280743001	1	
	12 Insert, Body	280742001	1	
	13 Sight Glass, Pyrex	280741001	1	
	14 Dome, Aluminum	280726001	1	
	15 Washer, Star	1598	1	
	16 Needle, Control	1597	1	
	17 O-Ring	280740001	3	
	18 Assembly, Fill Plug and Gasket	280748001	2	
	19 Gasket	280745001	1	
	20 Screw, 12 - 24 x 2.25	280746001	4	
	21 Plug, 1/16 NPT Pipe	280734001	1	
	22 Decal, Warning Oil Base	296260769	1	
	23 Decal, Read Op Manual	296260768	1	
	24 Decal, One Call	70000944	1	
	25 Decal, High Pressure	7000A082	1	

This page intentionally left blank

Fig. No.	Part No.	Qty	Fig. No.	Part No.	Qty		
1-7	16	1597	1	1-3	2	296266123	2
1-7	15	1598	1	1-3	6	296266124	2
1-7	6	732003	1	1-3	23	296266125	1
1-7	23	296260768	1	1-3	17	296266126	1
1-7	22	296260769	1	1-3	9	296266127	1
1-7	24	70000944	1	1-3	13	296266128	1
1-7	5	208599001	1	1-3	8	296266129	1
1-3	25	218335001	8	1-3	22	296266130	1
1-3	10	231837001	18	1-3	16	296266131	1
1-5	4	231929001	2	1-3	20	296266132	1
1-7	1	248933001	1	1-3	24	296266133	1
1-7	14	280726001	1	1-3	14	296266134	1
1-7	10	280727001	1	1-3	10	296266135	16
1-7	21	280734001	1	1-3		296266136	
1-7	17	280740001	3	1-3	12	296266137	1
1-7	13	280741001	1	1-3	7	296266139	1
1-7	12	280742001	1	1-3	18	296266140	1
1-7	11	280743001	1	1-3	21	296266141	1
1-7	19	280745001	1	1-3	3	296266142	1
1-7	20	280746001	4	1-3	11	296266154	1
1-7	9	280747001	2	1-3	11	296266155	1
1-7	18	280748001	2	1-3		296266156	
1-7	3	286502001	1	1-3		296266157	
1-5	3	296259224	4	1-3		296266158	
1-5	1	296263834	1	1-3	26	296266159	1
1-7	4	296263835	2	1-3		296266160	
1-7	2	296263836	1	1-3		296266161	
1-3	17	296266100	1	1-3		296266162	
1-3	9	296266101	1	1-3	26	296266163	1
1-3	13	296266102	1	1-3	5	296266170	1
1-3	8	296266103	1	1-3	5	296266171	1
1-3	22	296266104	1	1-5	2	296266213	2
1-3	20	296266105	1	1-3	27	296266214	1
1-3	14	296266106	1	1-7	25	7000A082	1
1-3	5	296266107	1	1-7	7	907-0057	1
1-3	5	296266108	1	1-7	8	907-0064	1
1-3	5	296266109	1	1-3	28	910-0859	1
1-3	5	296266110	1	1-3	28	910-1243	1
1-3	5	296266111	1				
1-3	5	296266112	1				
1-3		296266113					
1-3	12	296266114	1				
1-3	12	296266116	1				
1-3	19	296266118	1				
1-3	21	296266119	1				
1-3	15	296266120	1				
1-3	4	296266121	1				
1-3	1	296266122	1				

