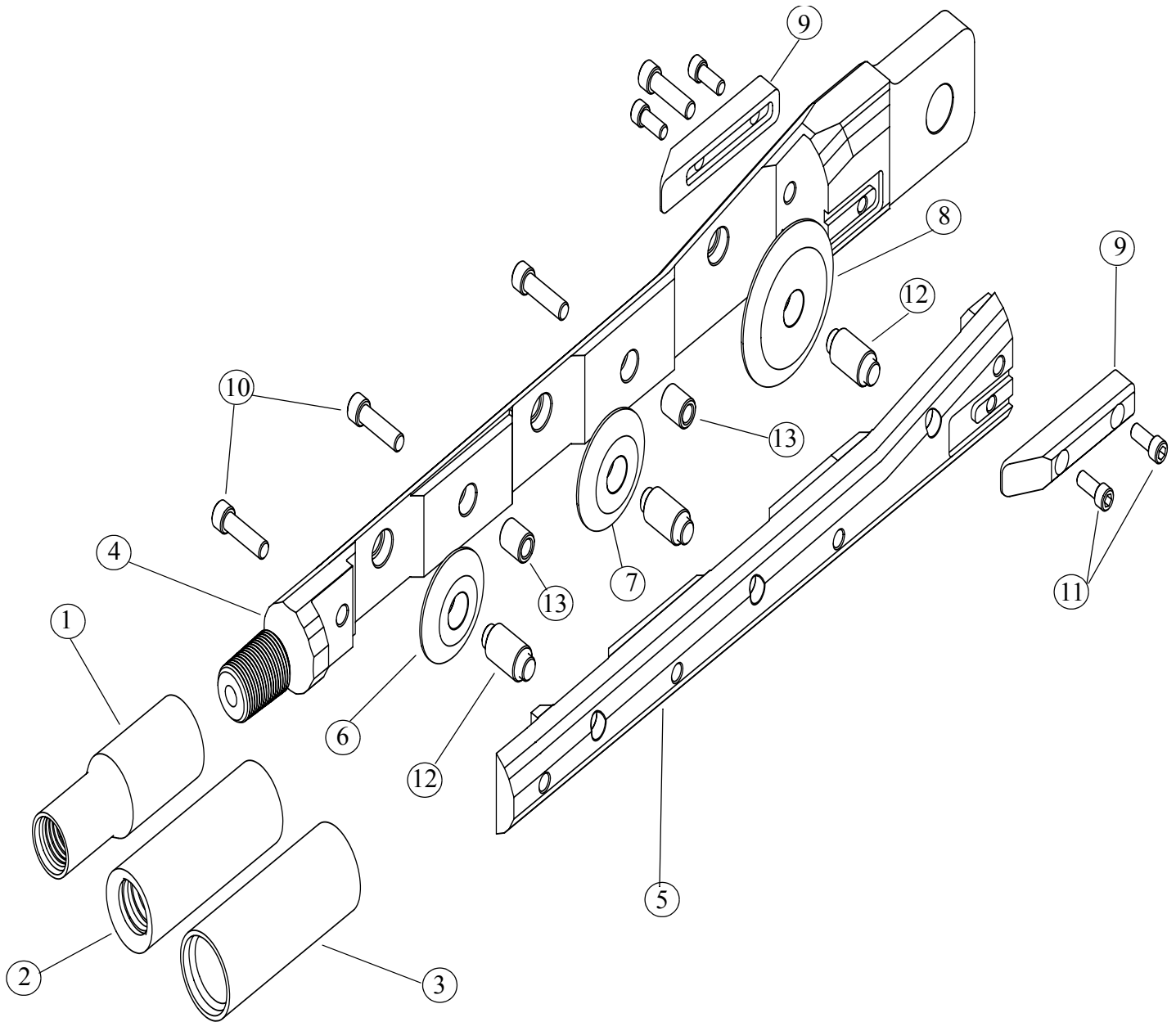


Ductile Slitter Assembly Parts List 2" Model



Item No.	Description	Part No.	Qty	Remarks
1	Adapter, 35mm Rod	296266219	1	Option 1
2	Adapter, 1.75" Rod	296266220	1	Option 2
3	Adapter, 2.00" Rod	296266221	1	Option 3
4	Frame, Ductile Slitter - Primary	296266223	1	
5	Frame, Ductile Slitter - Secondary	296266224	1	
6	Disk, Slitter - 2.38	296266225	1	
7	Disk, Slitter - 2.53	296266226	1	
8	Disk, Slitter - 3.44	296266227	1	
9	Runner, Guide	296266228	2	
10	Screw, SHC 3/8 - 16 x 1-3/8"	296266218	4	
11	Screw, SHC 5/16 - 18 x 3/4"	296252086	4	
12	Axle, Slitter Disk	296266229	3	
13	Bushing, Ductile Slitter	296266230	2	
14	Ductile Slitter Assembly 2"	296266222	1	Incl: 4 thru 13